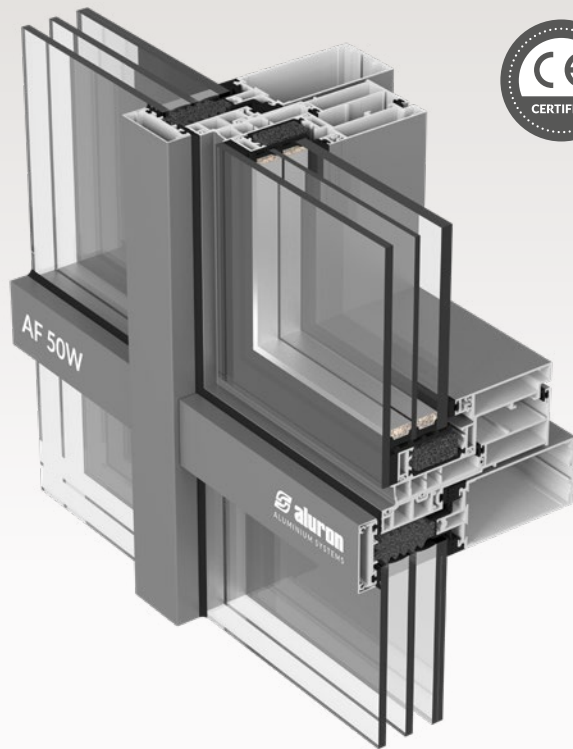


AF 50W

top hang and parallel opening window

AF 50W System is designed to construct structural glazing windows, outward opened, in two variants: top-hung windows and parallel windows. Thanks to their design, AF 50W windows appear as fixed windows, undistinguishable from elevation of the building while providing possibility of airing the room.



AF 50W FACADE WINDOWS

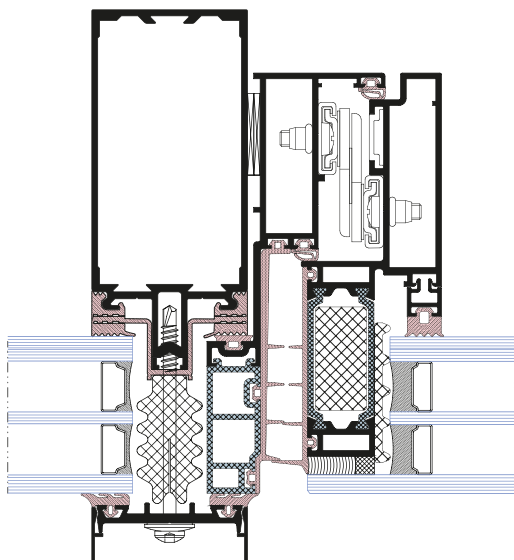
The windows are dedicated to build in AF 50 and AF 50S facade systems, and they can be used only with these systems. As a result of using structural glazing, there is no need to apply any profiles on the outside. The window in AS 50W System - after being installed in a facade - cannot be easily distinguished from adjacent fixed windows.

SELECTED FEATURES AND SYSTEM PARAMETERS

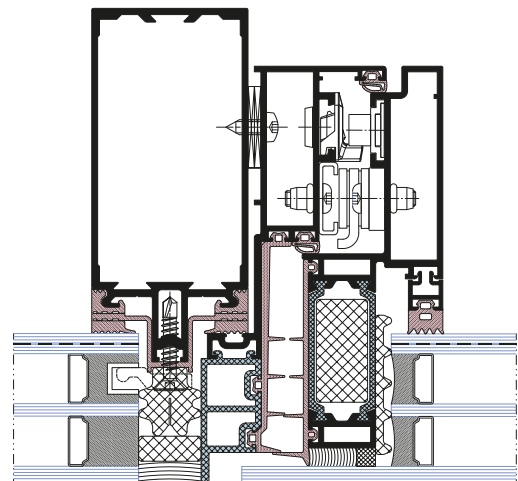
Range of glazing	42-56 mm
Waterproof	E 2400 Pa
Air permeability	4 class
Wind load resistance	C5/B5
Security study	+/-3600 Pa
Max weight (Top hang and opening window in)	180/200 kg

Heat transfer U_w coefficient
for sample window 1.23 x 1.48 [m]

	U_w [W/m ² K]
AF 50	0,79
AF 50S	0,89



Top hang and opening window in AF 50



Top hang and opening window in AF 50